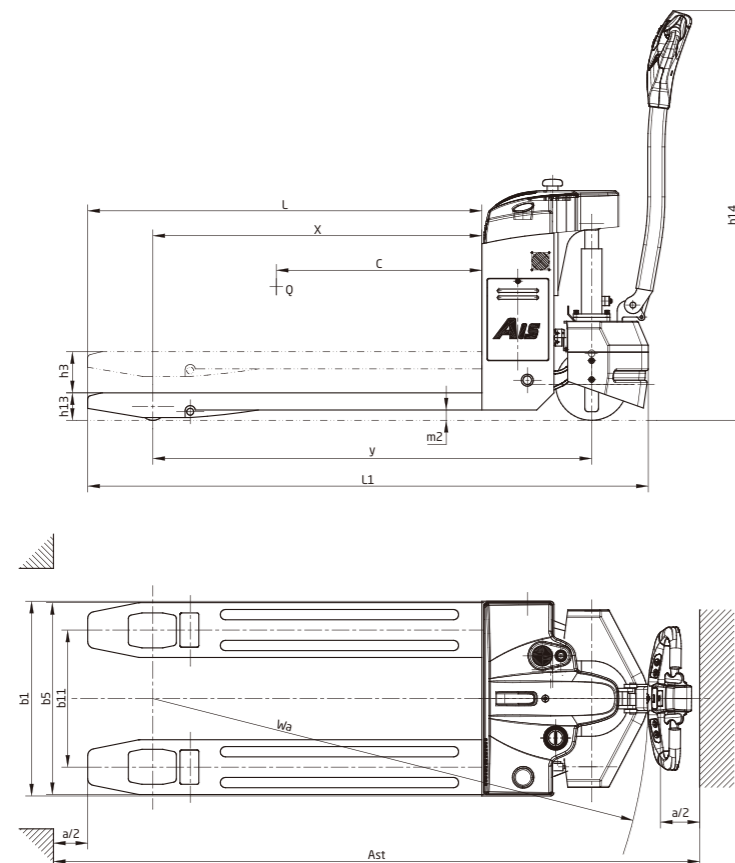


A series Mini Range pallet truck III specification

Distinguishing mark	HANGCHA GROUP CO.,LTD.		
		CBD15-A3MJ	CBD20-A3MA
1.1	Manufacturer		
1.2	Manufacturer's type designation	CBD15-A3MJ	CBD20-A3MA
1.4	Operator type: hand, pedestrian, standing, seated, order-picker	Pedestrian	Pedestrian
1.5	Rated capacity/ rated load	Q (kg) 1500	2000
1.6	Load centre distance	c (mm) 600	600
1.8	Load distance, centre of drive axle to fork	x (mm) 960	960
1.9	Wheelbase	y (mm) 1225 ¹⁾	1225 ¹⁾
Weight	2.1	Service Weight(Including battery)	kg 220
		Battery weight	kg 52
Tyres, chassis	3.1	Tyres: solid rubber, superelastic, pneumatic, polyurethane	PU
	3.2	Tyre size, front	φ210x70
	3.3	Tyre size, rear	φ80x64
	3.4	Additional wheel (dimensions)	φ70x40
	3.5	Wheels, number front / rear (x = driven wheels)	1x+2/4
Dimensions	3.6	Tread, front	b ₁₀ (mm) 404
	3.7	Tread, rear	b ₁₁ (mm) 400
	4.4	Lift	h ₃ (mm) 120
	4.1.5	Fork height, lowered	h ₁₃ (mm) 80
	4.1.9	Overall length	l ₁ (mm) 1669
	4.2.1	Overall width	b ₁ (mm) 568
	4.2.2	Fork dimensions	s/e/l (mm) 50/160/1150
	4.2.5	Distance between fork-arms	b ₅ (mm) 560/680
	4.3.2	Ground clearance, centre of wheelbase	m ₂ (mm) 30
	4.3.4.1	Aisle width for pallets 1000 x 1200 crossways	A _{st} (mm) 1850 ¹⁾
	4.3.4.2	Aisle width for pallets 800 x 1200 lengthways	A _{st} (mm) 1900 ¹⁾
4.3.5	Turning radius	W _a (mm) 1400 ¹⁾	
Performance data	5.1	Travel speed, laden/unladen	km/h 4,5/4,8
	5.2	Lift speed, laden/unladen	m/s 50/60
	5.3	Lowering speed, laden/unladen	m/s 45/40
	5.8	Max Gradeability, laden/unladen	% 6/15
Electric engine	6.1	Drive motor rating S2 60 min	kW 0.65
	6.2	Lift motor rating at S3 15%	kW 0.8
	6.4	Battery voltage, rated capacity	V/Ah 24/85
	8.1	Type of drive control	DC PMSM

Note: 1), VDI 2198: +358mm 2), VDI 2198: +200mm 3), When fork lowered, +50mm



Hangcha Europe GmbH

Mariechen-Graulich-Straße 12a,
65439 Flörsheim am Main,
Germany

Tel: 0049-61453769188
E-mail: admin@hangchaeurope.com

Mob: 0049-16096548808 (Thomas Dittrich)
E-mail: thomas.dittrich@hangchaeurope.com
Zip Code Area (1,2,3,4,5,6,7)

Mob: 0049-1605272481 (Jens Aßmuth)
E-mail: jens.assmuth@hangchaeurope.com
Zip Code Area (0,8,9)

www.hangchaeurope.com



HANGCHA GROUP CO., LTD. reserves the right to make any changes without notice concerning colors, equipment, or specifications detailed in this brochure, or to discontinue individual models. The colors of trucks, delivered may differ slightly from those in brochures.



A series pallet truck mini range III

with capacities of 1,500/2,000kg

The World of Hangcha



2022 VERSION 1.0 COPYRIGHT 2022/07

A series pallet truck mini range III

The A series pallet truck mini range III has been engineered to be both powerful and flexible to meet the requirements of many demanding applications. Whether it's supermarket work, delivery service, stock replenishment or heavy manufacturing, the A series pallet truck mini range III has the strength and durability to minimise your total cost of ownership.



Easy/ Efficiency/ Economy

Appearance

- / A series pallet truck mini range III applied professional industrial design, stream lines, and compact, and fully ergonomic consideration, in line with the latest design trends.
- / Applied steel stamping and injection molding processes, which is robust, durable, and also environmental compliance.

High Performance

- / Rated capacity 1500-2000kg, meet the needs of the majority of customers.
- / Powered by traction motor not only has good acceleration and perfect performance, but also low heat.
- / Regenerative braking for battery recovery during travel speed reduction, anti-slope on gradient.
- / All key parts such as tiller, switches, connectors, battery indicator and hour meter all adopt the famous brand.

Comfort

- / Make the operator feel comfortable, all the operation can be completed by one hand.
- / Optimized designing structure to offer a good visibility and easy entrance of the pallet.
- / Built-in charger and maintenance free gel battery adopted to provide convenient usage.
- / The compact body and semicircular design provide an ideal operation in limited space, and the ability of walking upright greatly increases the convenience in the container.
- / Standard fork height 80mm, equipped the guide device easy to get in pallets (including sealing pallets).
- / Side battery change is standard feature.

Reliability

- / 5-pivot design provide longer working life.
- / Imported waterproof connectors, all wires and cables are protected, greatly improve the reliability of the electric system.
- / Top quality hydraulic power unit applied to provide low noise, low vibration, smooth lifting and landing reliable operation.
- / Punch formed forks to provide more strength and tip guide to provide higher efficient operation.
- / Using non-contact proximity switch, improves safety and reliability.

Safety

- / Three braking system of regenerative braking, reverse current braking, parking brake, insures the safe operation.
- / Anti-slope on gradient can keep the safety.
- / The emergency button on the tiller head can effectively avoid the harm to the driver.
- / The standard equipped electronic lifting limitation protect the pump motor from damaging dramatically and more energy saving.

Maintenance

- / Built-in charger and maintenance free gel battery, you don't need to worry about them.
- / Integrated battery indicator, hour meter and self-diagnostic instrument.
- / Full opened hood, easy accessibility of all components, is easy for service.
- / All shafts installed lubricated shaft sleeve and oil cup, provide convenient maintenance and long service life.

Standard specification

- / Permanent magnet drive motor
- / Emergency switch
- / Multi-function battery indicator
- / PU wheel
- / 1150mm fork length
- / 560mm outside fork width
- / Electronic lifting limitation
- / Non-contact proximity switch
- / Horn
- / Maintenance free battery
- / Internal charger
- / Walking upright
- / Additional wheel
- / Tandem load wheel

Options

- / Different length of fork
- / Different width of outside fork
- / Single load wheel



The ergonomic tiller head allows for easy operation with one hand



Auxiliary wheels are equipped to have better stability



Modern outline design



Tandem load wheel