



### Hangcha Europe GmbH

Mariechen-Graulich-Straße 12a,  
65439 Flörsheim am Main,  
Germany

Tel: 0049-61453769188  
E-mail: admin@hangchaeurope.com

Mob: 0049-16096548808 (Thomas Dittrich)  
E-mail: thomas.dittrich@hangchaeurope.com  
Zip Code Area (1,2,3,4,5,6,7)

Mob: 0049-1605272481 (Jens Abmuth)  
E-mail: jens.assmuth@hangchaeurope.com  
Zip Code Area (0,8,9)

www.hangchaeurope.com



Follow us on  
Instagram



Follow us on  
Facebook



Follow us on  
YouTube



Download "Hangcha  
Forklift" App



ISO14001  
ISO14001:2015



ISO9001  
ISO9001:2015



HANGCHA trucks conform  
to the European Safety  
Requirements.

2020 VERSION 1/COPYRIGHT 2020/12

HANGCHA GROUP CO., LTD. reserves the right to make any changes without notice concerning colors, equipment, or specifications detailed in this brochure, or to discontinue individual models. The colors of trucks, delivered may differ slightly from those in brochures.



## A Series Dual Drive Electric Forklift

with capacities of 2,000 to 3,500kg

The World of Hangcha



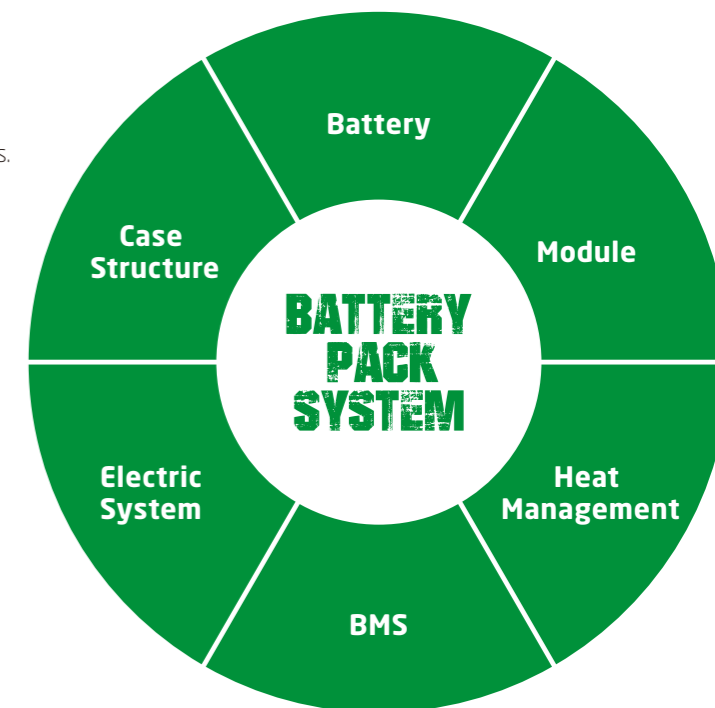
# LET THE LIUM POWER BE REEL



## INNOVATIVE SOLUTIONS NEW POWER NOW

Innovative, reliable lithium-ion technology (Lithium Iron-Phosphate), which are developed jointly by HANGCHA and CATL. Battery cells and modules are from CATL, with reliable quality, exclusively for HANGCHA.

- / We use square lithium iron phosphate batteries and modules used in large quantities by commercial vehicles in mature economies.
- / The module uses an aluminum alloy frame which is sturdy, lightweight and with excellent heat dissipation.
- / Safe and effective: Charging efficiency as high as 98%, thermal runaway temperature 600 °C or above.
- / Adapted to low temperatures: Comes standard with an electrical heating feature, ensuring normal operation in low temperatures.
- / Quick charging: 2 hours full charge, economic use of each break.
- / Long-working: 4000 charging cycles, capacity retention greater than 80%.
- / Maintenance-free: Battery does not require manual maintenance.
- / Green and clean: Pollution-free, zero emissions.



Li-Ion  
2 hours  
100%

Lead-acid batteries  
8-10 hours 100%

**Rapid charging and opportunity charging ensure continuous availability of vehicles**

Li-Ion powered forklifts are always available. They allow for fast full charging or boost charging (100 % charge in 2 hours). They are maintenance free and do not require a battery change when used for multi-shift operations.



TITANS CHARGER

### Li-Ion Battery Pack specification

Type		CPD20-AC4-DMI	CPD25-AC4-DMI	CPD30-AC4-DMI	CPD35-AC4-DMI
Battery voltage, capacity	V/Ah	80/271	80/271	80/404	80/404
Titans charger		SLC-80100	SLC-80100	SLC-80200	SLC-80200



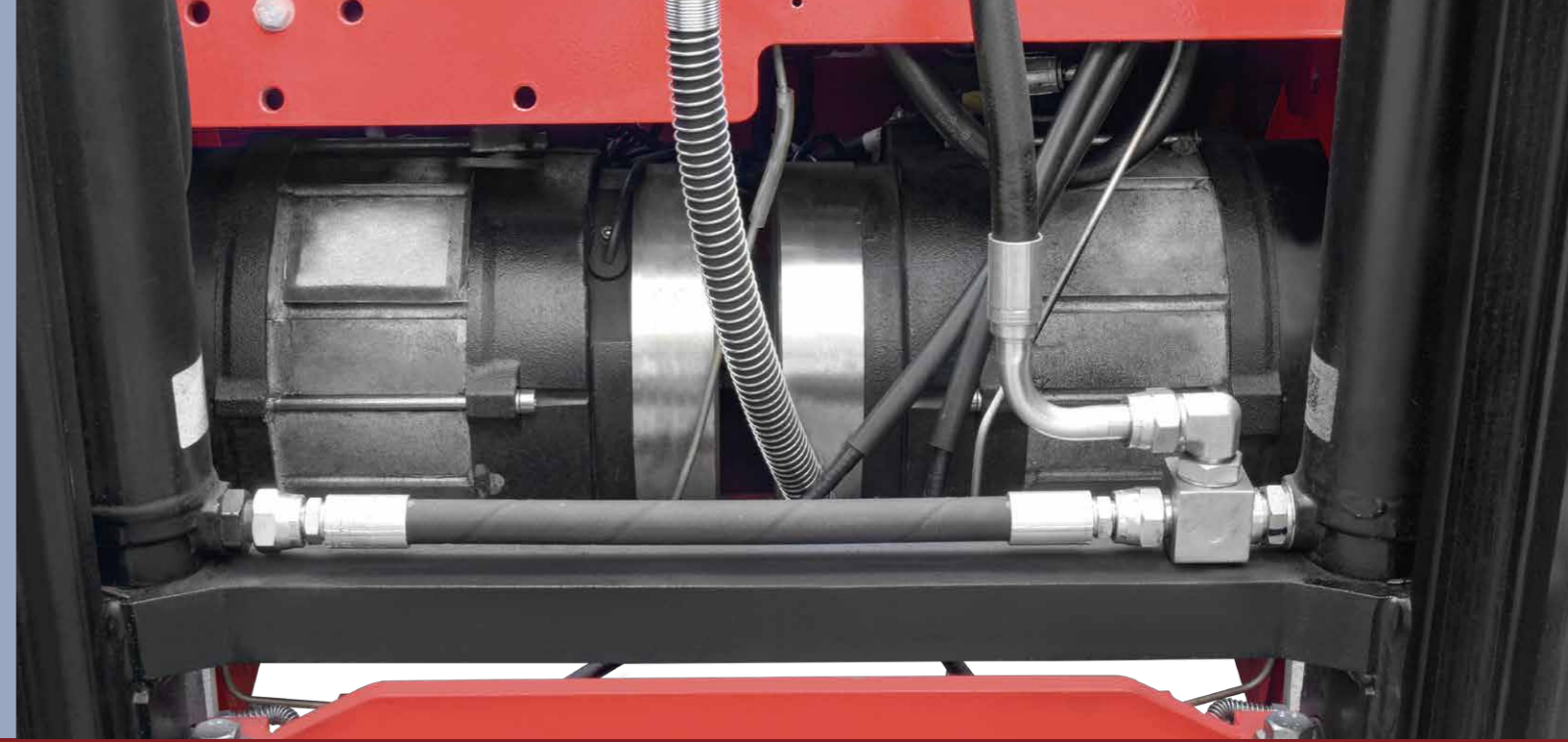
HANGCHA provides Li-Ion battery (LiFePO4) with 5 years or 10000 hours warranty.



**5 YEARS  
WARRANTY**

## Appearance

Applied advanced new designing method, world famous designing company designed, make the eye catchable stream outline of the truck chassis. Small dimension, simple appearance, and metal material applied for the exposed parts, all provide robust construction of the A series.



## Maneuverability

Driven by two motors independently, the front wheels can rotate forwards and backwards with a small turning radius and have good maneuverability. An imported reduction gearbox is provided. The high-power drive motors provide strong and reliable driving force.

## High Efficiency

A high-power oil pump motor is used. The large-displacement silent gear pumps improve the lifting speed and operation efficiency.



## Intelligent

- / First-class R&D and testing facility.
- / First-class production quality management system.
- / First-class manufacturing facility.
- / First-class environment and control.

HANGCHA

# Comfortable Operation

## Ergonomic

The new designed steering wheel, new brake system and the easy-to-operate levers provide total handling operation.



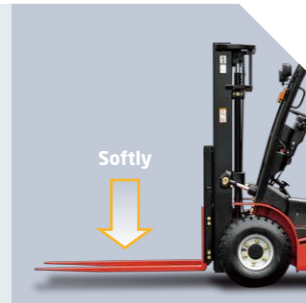
## Seat

The extra foot space is provided to reduce operator fatigue significantly. The new wide-open, non-slip step makes getting in and out easy and safe.



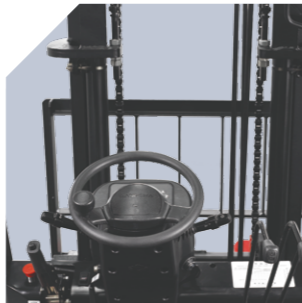
## Soft landing

In addition to the soft landing system, the soft lifting system is adopted (front lifting cylinders of triplex mast and full free dup-lex mast), as a result, the noise and shock of the mast significantly decreases.



## Wide view mast

New designed wide view mast provides better forward view ability.

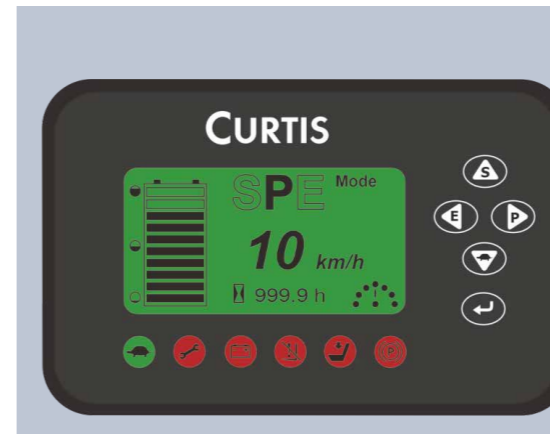


# Advanced

High frequency MOSFET controller provides accurate control of travelling, lifting, and better adjustable performance, and better matches the motor. Regenerative braking, reverse current braking and anti-slide on slop function guarantee the operation safety.

Multi functions big LED dashboard provides running hours, battery power, and self diagnosis functions, and with high accuracy even in bad environment.

Regenerative braking is more energy saving and efficiency during truck's deceleration, direction changing, and driving on downwards slope.



CURTIS big LED dashboard. Non-handset Operation.



Imported high performance, and new generation AC controller.

1. Low center of gravity provides good turning stability, and better operator's driving comfort. 150mm adjustable distance of seat provides better operator's comfort of different operators.
2. Soft landing system is applied for A series. When the forks lower to 60-100mm to ground, the soft landing system is auto operated, and to avoid the forks dashing against the ground. New designed broad view mast provides better forward visibility.
3. Easy to see LED dashboard provides friendly interaction.
4. Low noise, no exhaust emission, and low energy consumption, all meet environment friendly requirement.



# Service Ability

Full open battery cover, easy for battery service easy opened counter weight cover, to protect internal controller to avoid water and dust World famous brand electronics are applied in motor controller, contactor, power plug, emergency switch, dashboard, and accelerators.

Overloaded protection system is applied for electronics and hydraulics.

CE certificate is available.



Battery cover with auto lock spring for easy battery service and replacing, and clean the oil tank



Side battery changing solution is applied for heavy and long time application



Big dimension anti-slide rubber pad



Protective roof



Easy opened counterweight cover is to protect the internal controllers to avoid water and dust



## A series 2.0/2.5t mast specification

Type	Model	Lifting height mm	Lowered overall height mm	Overall height		Free lifting height		Tilting range		Capacity (Mast vertical to ground)			
				With backrest	Without backrest	With backrest	Without backrest	Forward	Backward	Load center@500mm Single Tire		Load center@24in Single Tire	
				mm	mm	mm	mm	(°)	(°)	2.0t	2.5t	4000	5000
2-stage wide view mast	M250	2500	1756	3540	3142	140	140	5	8	2000	2500	4000	5000
	M270	2700	1856	3740	3342	140	140	5	8	2000	2500	4000	5000
	M300	3000	2006	4040	3642	140	140	5	8	2000	2500	4000	5000
	M330	3300	2171	4340	3942	140	140	5	8	2000	2500	4000	5000
	M350	3500	2256	4540	4142	140	140	5	8	2000	2500	4000	5000
	M360	3600	2306	4640	4242	140	140	5	8	2000	2500	4000	5000
	M400	4000	2556	5040	4642	140	140	5	8	2000	2500	4000	5000
	M430	4300	2731	5340	4942	140	140	5	6	2000	2500	4000	5000
2-stage full-free lifting mast	M450	4500	2831	5540	5142	140	140	5	6	2000	2450	4000	4900
	U250	2500	1781	3540	3165	805	1184	5	8	2000	2500	4000	5000
	U270	2700	1881	3740	3365	905	1284	5	8	2000	2500	4000	5000
	U300	3000	1981	4040	3665	1055	1434	5	8	2000	2500	4000	5000
	U330	3300	2131	4340	3965	1205	1584	5	8	2000	2500	4000	5000
	U360	3600	2281	4640	4265	1355	1734	5	8	2000	2500	4000	5000
3-stage full-free lifting mast	U400	4000	2531	5040	4665	1555	1934	5	8	2000	2500	4000	5000
	N400	4000	1926	5040	4495	850	1334	5	6	2000	2500	4000	5000
	N430	4300	2026	5340	4795	950	1434	5	6	2000	2450	4000	4900
	N450	4500	2096	5540	4490	1000	1484	5	6	2000	2350	4000	4700
	N480	4800	2196	5840	5395	1150	1634	5	6	1950	2250	3900	4500
	N500	5000	2261	6040	5545	1200	1684	5	6	1850	2150	3700	4300
	N550	5500	2426	6540	5995	1350	1834	3	6	1750	2050	3500	4100
	N600	6000	2646	7040	6495	1550	2034	3	6	1550	1850	3100	3700
N650	6500	2821	7540	6995	1750	2234	3	6	1300	1600	2600	3200	

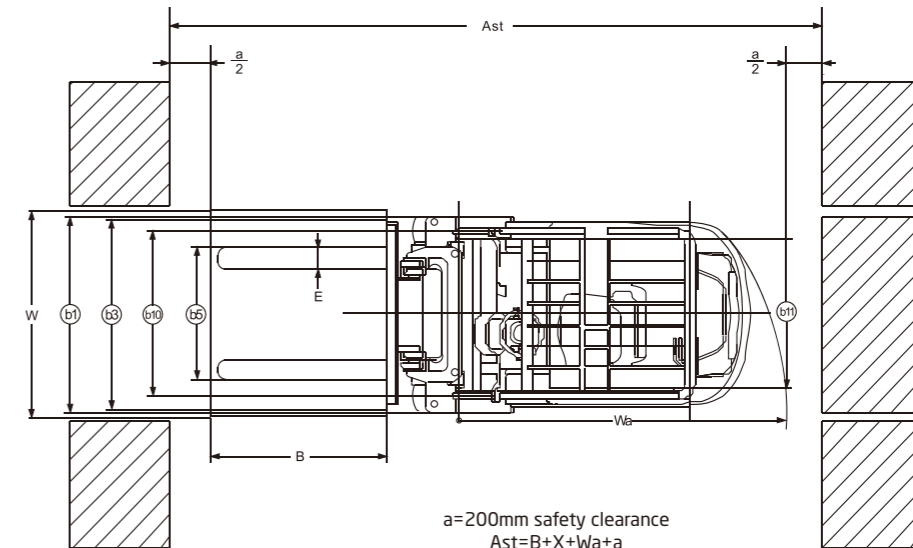
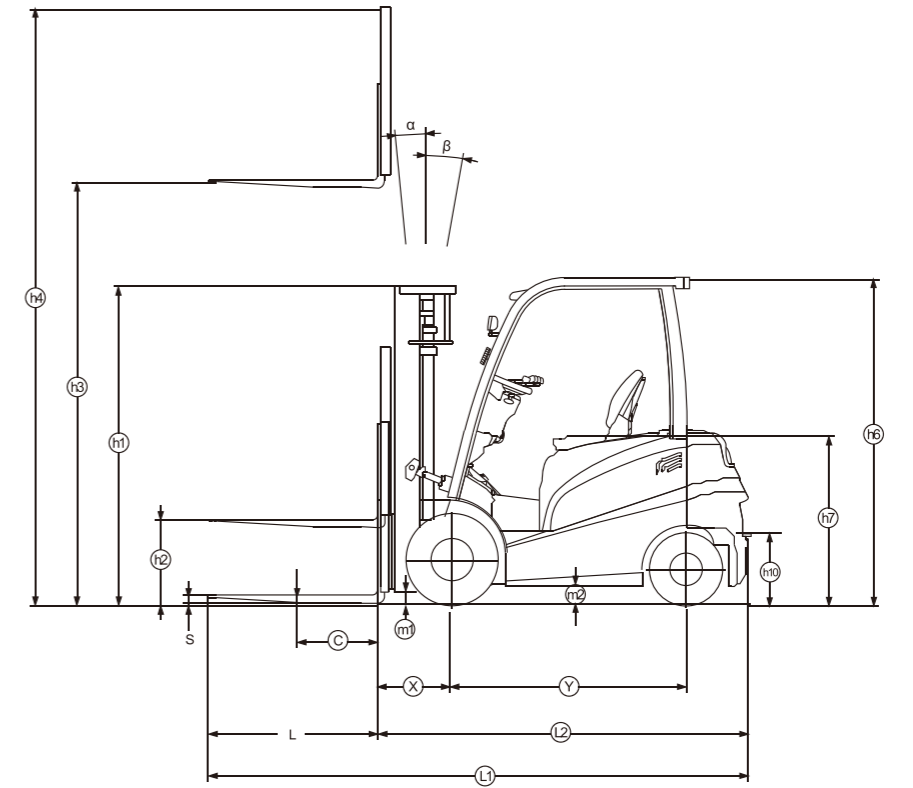
## A series 3.0t/3.5t mast specification

Type	Model	Lifting height mm	Lowered overall height		Overall height				Free lifting height				Tilting range		Capacity (Mast vertical to ground)			
			3.0t	3.5t	With backrest		Without backrest		With backrest		Without backrest		Forward	Backward	Load center@500mm Single Tire		Load center@24in Single Tire	
			mm	mm	mm	mm	mm	mm	mm	mm	mm	mm	mm	mm	(°)	(°)	3.0t	3.5t
2-stage wide view mast	M250	2500	1895	1895	3645	3645	3281	3281	150	150	150	150	5	8	3000	3500	6000	7000
	M270	2700	1995	1995	3845	3845	3481	3481	150	150	150	150	5	8	3000	3500	6000	7000
	M300	3000	2145	2145	4145	4145	3781	3781	150	150	150	150	5	8	3000	3500	6000	7000
	M330	3300	2295	2295	4445	4445	4081	4081	150	150	150	150	5	8	3000	3500	6000	7000
	M350	3500	2395	2395	4645	4645	4281	4281	150	150	150	150	5	8	3000	3500	6000	7000
	M360	3600	2445	2445	4745	4745	4381	4381	150	150	150	150	5	8	3000	3500	6000	7000
	M400	4000	2745	2745	5145	5145	4781	4781	150	150	150	150	5	8	3000	3500	6000	7000
	M430	4300	2895	2895	5445	5445	5081	5081	150	150	150	150	5	6	3000	3400	6000	6800
2-stage full-free lifting mast	M450	4500	2995	2995	5645	5645	5281	5281	150	150	150	150	5	6	3000	3300	6000	6600
	U250	2500	1895	1895	3645	3645	3320	3320	855	855	1075	1075	5	8	3000	3500	6000	7000
	U270	2700	1995	1995	3845	3845	3520	3520	955	955	1175	1175	5	8	3000	3500	6000	7000
	U300	3000	2145	2145	4145	4145	3820	3820	1105	1105	1325	1325	5	8	3000	3500	6000	7000
	U330	3300	2295	2295	4445	4445	4120	4120	1255	1255	1475	1475	5	8	3000	3500	6000	7000
	U360	3600	2445	2445	4745	4745	4420	4420	1405	1405	1625	1625	5	8	3000	3500	6000	7000
3-stage full-free lifting mast	U400	4000	2645	2645	5145	5145	4820	4820	1605	1605	1825	1825	5	8	3000	3500	6000	7000
	N400	4300	2045	2045	5145	5145	4645	4645	900	900	1225	1225	5	6	3000	3400	6000	6800
	N430	4300	2145	2145	5445	5445	4945	4945	1000	1000	1325	1325	5	6	3000	3300	6000	6600
	N450	4500	2195	2195	5645	5645	5095	5095	1050	1050	1375	1375	5	6	3000	3200	6000	6400
	N480	4800	2345	2345	5945	5945	5545	5545	1200	1200	1525	1525	5	6	2900	3100	5800	6200
	N500	5000	2395	2395	6145	6145	5695	5695	1250	1250	1575	1575	5	6	2850	3100	5700	6200
	N550	5500	2545	2545	6645	6645	6145	6145	1400	1400	1725	1725	3	6	2670	3000	5340	6000
	N600	6000	2745	2745	7145	7145	6645	6645	1600	1600	1925	1925	3	6	2350	2650	4700	5300
N650	6500	2945	2945	7645	7645	7145	7145	1800	1800	2125	2125	3	6	2000	2250	4000	4500	

Standard Features	Options
/ High-power AC drive motor	/ Side battery removal solution
/ Lifting motor for customized forklift operating conditions	/ Domestic large capacity battery
/ Multi-function instrument cluster	/ Cold storage electric fork
/ Computerized driving, lifting and steering	/ High performance imported brand battery
/ LED headlights, steering indicators, LED rear combination tri-color lights	/ Battery charger
/ Large integral rubber and plastic pedal pad	/ Rear work light
/ Integrally-stamped front and rear bottom panels	/ Super-elastic solid tire
/ Integrally-stamped left and right side panels and hood	/ Coloring solid environmentally friendly seamless tire
/ Reverse buzzer	/ Suspended seat
/ Fully hydraulic power steering	/ Left and right rear view mirrors
/ Tool box, folder	/ Reverse armrest (containing a horn button)
/ Falling intelligent buffer	/ Widened fork frame
/ Standard red fork	/ Widened or heightened load backrest
/ 3 m duplex wide-field-of-view mast	/ Forks of other lengths
/ Traction pin	/ Free duplex mast
/ Central rear view mirror	/ Free triplex mast
/ Speed control at corner	/ Built-in side shifter
	/ Accessories for other specifications
	/ Seat sensing system (OPS)
	/ Blue light

# A Series 2.0-3.5t Dual Drive Electric Forklift Specification

		HANGCHA GROUP CO.,LTD.					
Distinguishing mark	1.1	Manufacturer (abbreviation)					
	1.2	Manufacturer's type designation	CPD20-AC4-DM	CPD25-AC4-DM	CPD30-AC4-DM	CPD35-AC4-DM	
	1.3	Drive: electric (battery or mains), diesel, petrol, fuel gas	electric	electric	electric	electric	
	1.4	Operator type: hand, pedestrian, standing, seated, order-picker	seated	seated	seated	seated	
	1.5	Load capacity/rated load	Q (kg)	2000	2500	3000	3500
	1.6	Load centre distance	c (mm)	500	500	500	500
	1.8	Load distance, centre of drive axle to fork	x (mm)	472	472	510	510
	1.9	Wheelbase	y (mm)	1485	1485	1625	1625
	Weight	2.1	Service Weight	kg	3880	4080	4750
2.2		Axle loading, laden front/rear	kg	5196/684	5920/760	7060/790	7950/850
2.3		Axle loading, unladen front/rear	kg	1728/2152	1780/2400	2324/2526	2380/2920
Tyres, chassis	3.1	Tyres: solid rubber, superelastic, pneumatic, polyurethane		pneumatic	pneumatic	pneumatic	super elastic
	3.2	Tyre size, front		23x9 - 10	23x9 - 10	23x9 - 10	23x10 - 12
	3.3	Tyre size, rear		18x7 - 8	18x7 - 8	18x7 - 8	200/50-10
	3.5	Wheels, number front rear (x = driven wheels)		2x/2	2x/2	2x/2	2x/2
	3.6	Tread, front	b10 (mm)	1058	1058	1056	1056
	3.7	Tread, rear	b11 (mm)	960	960	960	960
Dimensions	4.1	Tilt of mast/fork carriage forward/backward	Grad	5/8	5/8	5/8	5/8
	4.2	Height, mast lowered	h1 (mm)	2095	2095	2145	2145
	4.3	Free lift	h2 (mm)	140	140	150	150
	4.4	Lift	h3 (mm)	3000	3000	3000	3000
	4.5	Height, mast extended	h4 (mm)	4040	4040	4145	4145
	4.7	Height of overhead guard (cabin)	h6 (mm)	2155	2155	2190	2190
	4.9	Seat height/stand height	h7 (mm)	1070	1070	1070	1070
	4.12	Coupling height	h10 (mm)	303	303	303	303
	4.19	Overall length	l1 (mm)	3420	3420	3605	3605
	4.20	Length to face of forks	l2 (mm)	2350	2350	2535	2535
	4.21	Overall width	b1 (mm)	1265	1265	1265	1289
	4.22	Fork dimensions ISO2331	s/e/l (mm)	40/122/1070	40/122/1070	45/125/1070	50/125/1070
	4.23	Fork carriage DIN 15 173 --- ISO 2328, class/type A,B		ISO2328 2A	ISO2328 2A	ISO2328 3A	ISO2328 3A
	4.24	Fork-carriage width	b3 (mm)	1038	1038	1100	1100
	4.31	Ground clearance, laden, below mast	m1 (mm)	112	112	115	115
	4.32	Ground clearance, centre of wheelbase	m2 (mm)	120	120	125	125
	4.33	Aisle width for pallets 1000 x 1200 crossways	Ast (mm)	3626	3626	3800	3870
	4.34	Aisle width for pallets 800 x 1200 crossways	Ast (mm)	3826	3826	4000	4070
4.35	Turning radius	Wa (mm)	1960	1960	2090	2160	
4.36	Internal turning radius	b13 (mm)	350	350	350	350	
Performance data	5.1	Travel speed, laden/unladen	km/h	17/18	17/18	16/17	16/17
	5.2	Lift speed, laden/unladen	mm/s	400/450	380/450	380/450	330/430
	5.3	Lowering speed, laden/unladen	mm/s	440/420	460/420	420/390	420/390
	5.5	Drawbar pull, laden/unladen	N	14000/13000	15000/14000	17000/16000	19000/18000
	5.6	Max. Drawbar pull, laden/unladen	N	15000	16000	18000	20000
	5.7	Gradeability, laden/unladen	%	20/22	20/22	18/20	18/20
	5.8	Max. gradeability, laden/unladen	%	22/23	22/23	20/22	20/22
	5.9	Acceleration time, laden/unladen (0-10m)	s	5.2/4.2	5.3/4.3	5.5/4.5	5.7/4.7
	5.10	Service brake		Hydraulic	Hydraulic	Hydraulic	Hydraulic
	5.11	Parking brake		Mechanical	Mechanical	Mechanical	Mechanical
Electric engine	6.1	Drive motor rating S2 60 min	kW	8.0x2	8.0x2	8.0x2	8.0x2
	6.2	Lift motor rating at S3 15%	kW	15	15	21	21
	6.3	Battery acc. to DIN 43 531/35/36 A,B,C, no		no	no	no	no
	6.4	Battery voltage, nominal capacity K5	V/Ah	80/420	80/420	80/500	80/500
	6.5	Battery weight	kg	1050	1050	1530	1530
	6.6	Battery dimensions	l/b/h(mm)	1028x570x780	1028x570x780	1028x710x780	1028x710x780
	6.7	Min. battery weight	kg	930	930	1200	1200
	6.8	Max. battery weight	kg	1200	1200	1550	1550
Addition data	8.1	Manufacturer of controller		CURTIS	CURTIS	CURTIS	CURTIS
	8.2	Operating pressure for attachments	bar	175	175	175	175
	8.3	Oil volume for attachments	l/min	45	45	45	45
	8.4	Sound level at the driver's ear according to EN / DIN 12 053	dB (A)	73	74	74	74
	8.5	Towing coupling, type DIN 15170		Φ24 Pin	Φ24 Pin	Φ24 Pin	Φ24 Pin



a=200mm safety clearance

Ast=B+X+Wa+a

X: Load distance

B: Length of load or forks which is longer

